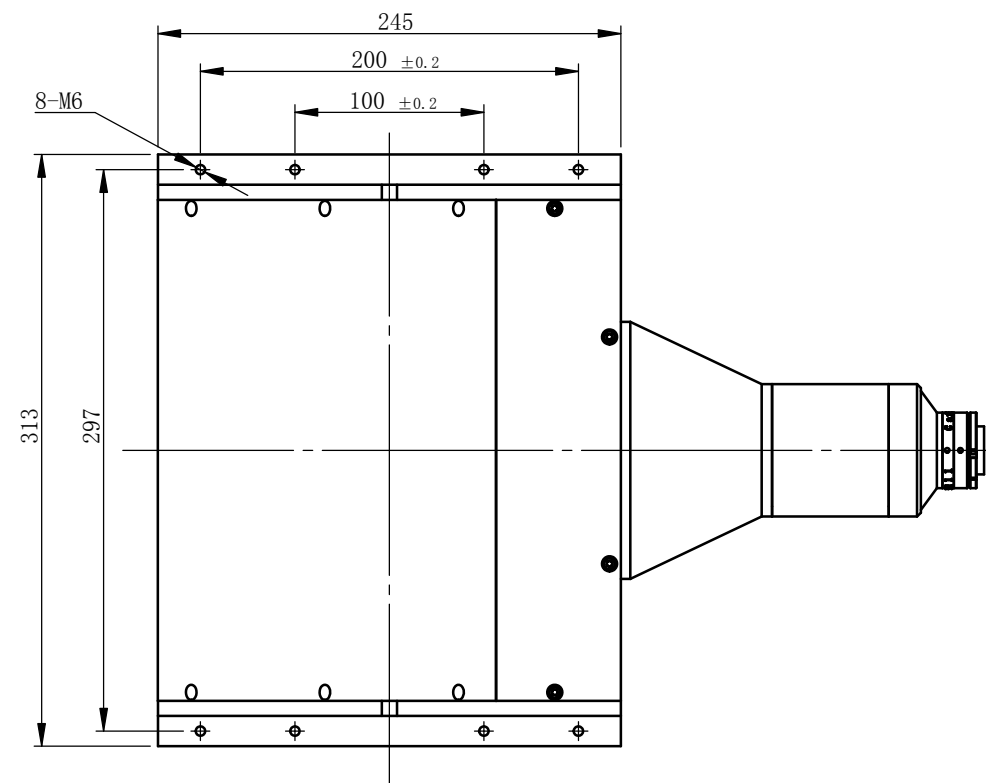


XF-PTL19508-C-L90E

Specification

Optical structure	Bi-Telecentric
Magnification	0.0411
Object field of view	Φ194.6mm
Image field of view	Φ8mm
Working Distance	400mm±3%
Telecentricity	<0.04°(0.06°)
Depth of field	358.7mm
F#	F5.5
Resolution	88.29μm
MTF	>0.3@185lp/mm
Distortion	<0.097%(0.121%)
Detector type:	

1/2'	6.4×4.8	155.7×116.8mm
1/2.3'	6.2×4.6	150.9×111.9mm
1/2.5'	5.8×4.3	141.1×104.6mm
1/3'	4.8×3.6	116.8×87.6mm



XF-PTLAAABB-C/F/P/M- (L90E) - (VI)

The fourth generation lens of Canrill

The camera mount (M & P mount need specify BFL)

Variable aperture option

Object FOV

90° Steering option

Image FOV

Undefined tolerance (mm)	degree	File Name		
X. X	±0.2	±30min	XF-PTL19508-C-L90E-外形尺寸-EN	
X. XX	±0.02	Drawing Name		
X. XXX	±0.005	Drawing Size: A3		
	Sign	Data/Ver.	Material	Ratio
Design				1:10
Modify1			Qty	⊕
Modify2			Total:	Page:

Product Name

Canrill OPTICS

All design and drawings are intellectual property of Canrill Optics, can not be copied without Canrill's authorization.